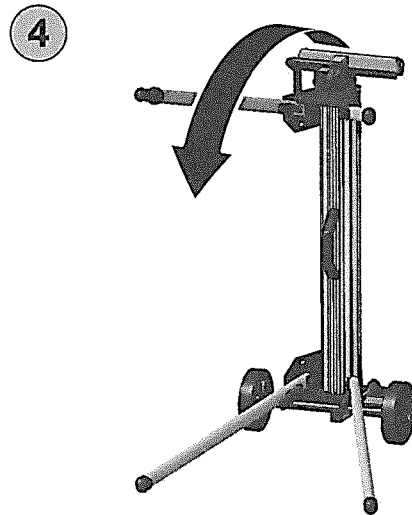
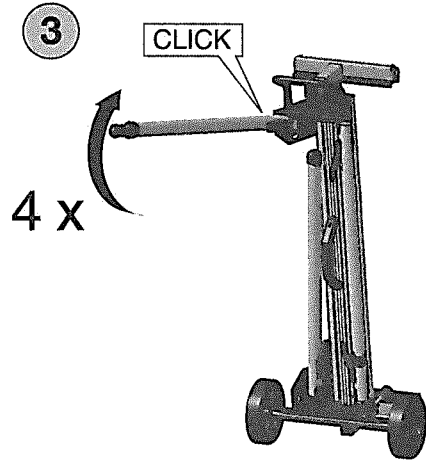
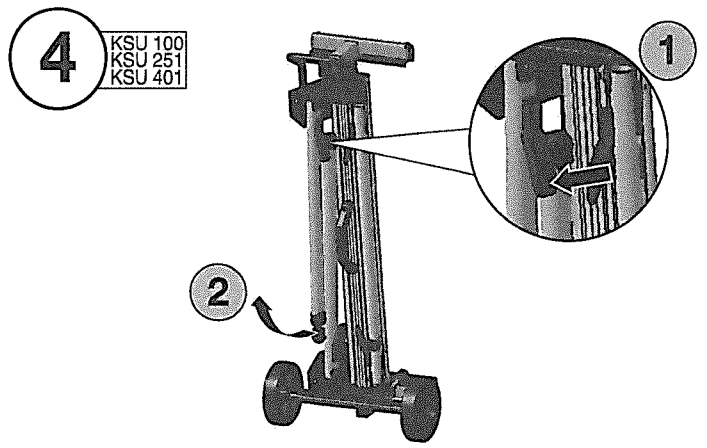
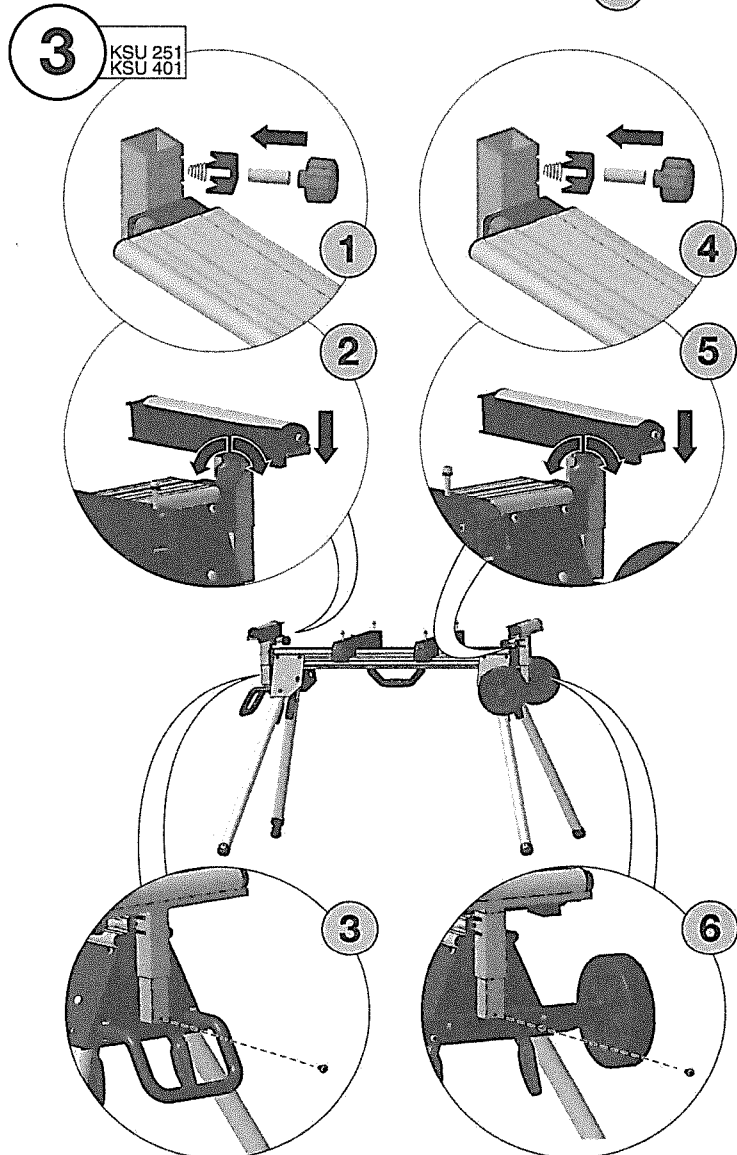
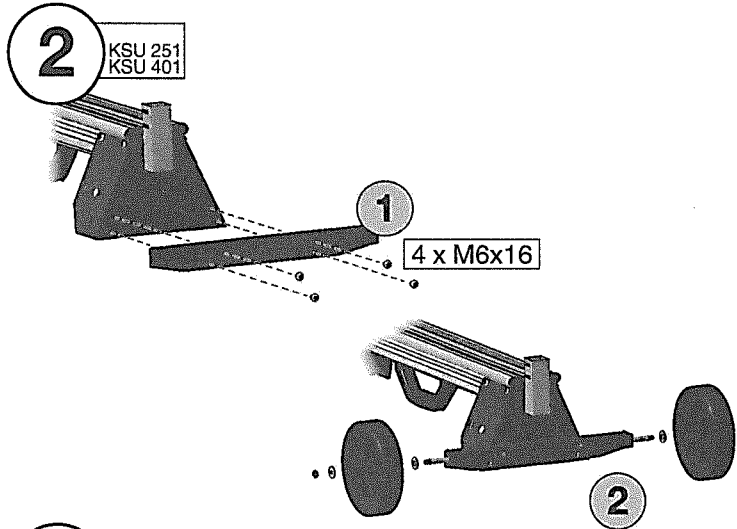
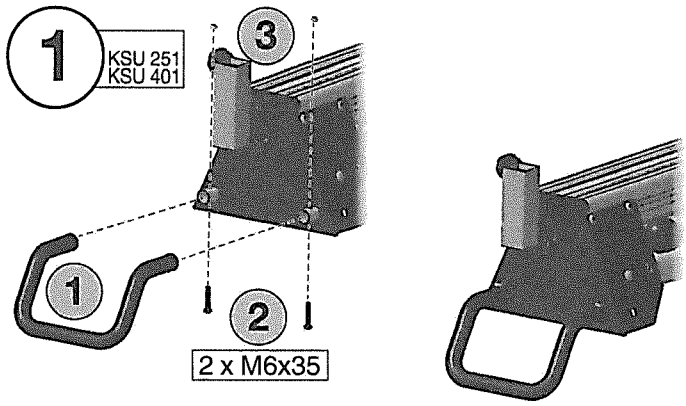


**KSU 100**  
**KSU 251**  
**KSU 401**

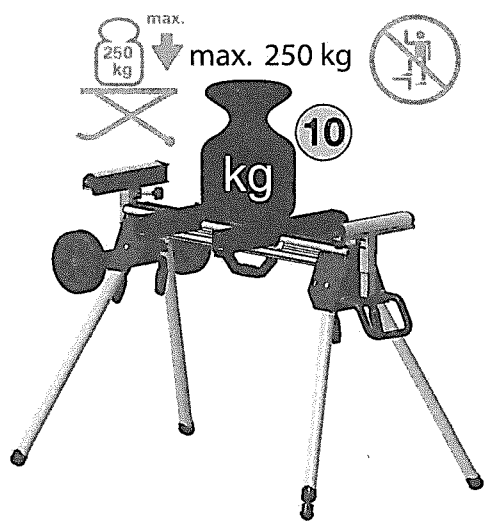
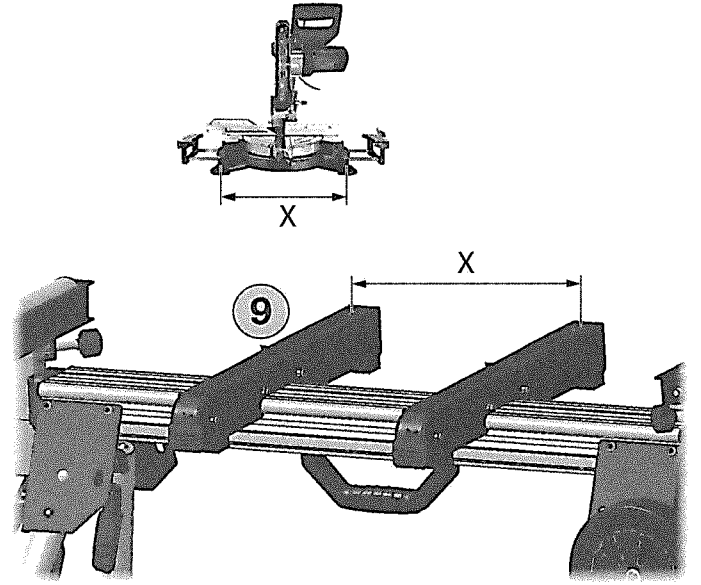
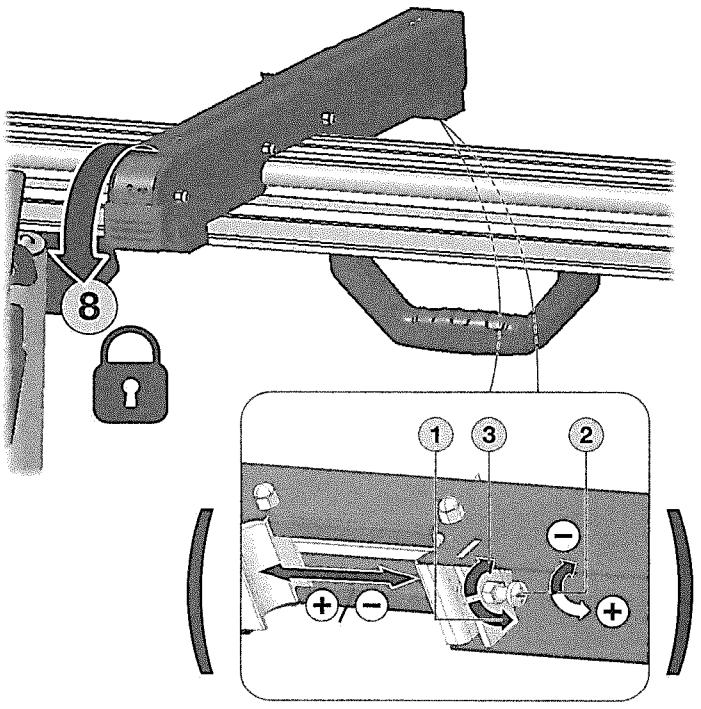
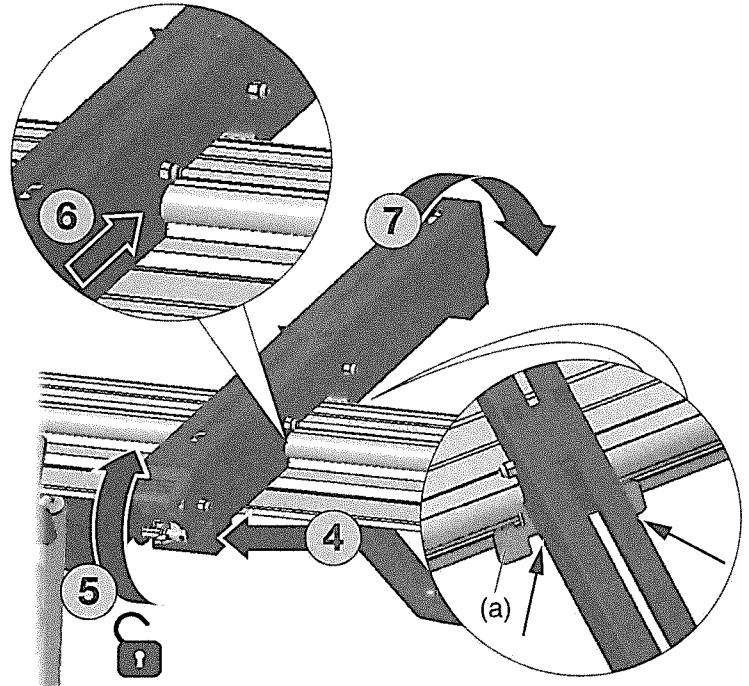
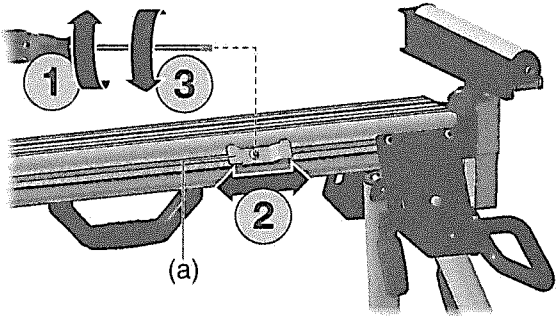


**de** Maschinenständer 5  
**en** Workstand 7  
**fr** Montants de la machine 9  
**nl** Machinestandaard 11  
**it** Supporto della macchina 13  
**es** Base de la máquina 15  
**pt** Suporte de máquina 17  
**sv** Maskinstativ 19

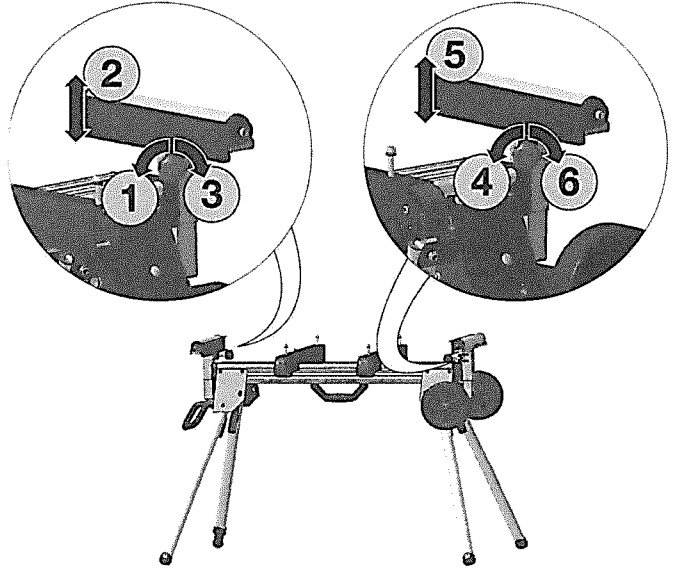
**fi** Jalusta 21  
**no** Maskinunderstell 23  
**da** Standeren 25  
**pl** Stojak pod urządzenie 27  
**el** Ορθοστάτης μηχανήματος 29  
**hu** Gépállvány 31  
**ru** Рабочий стіл 33



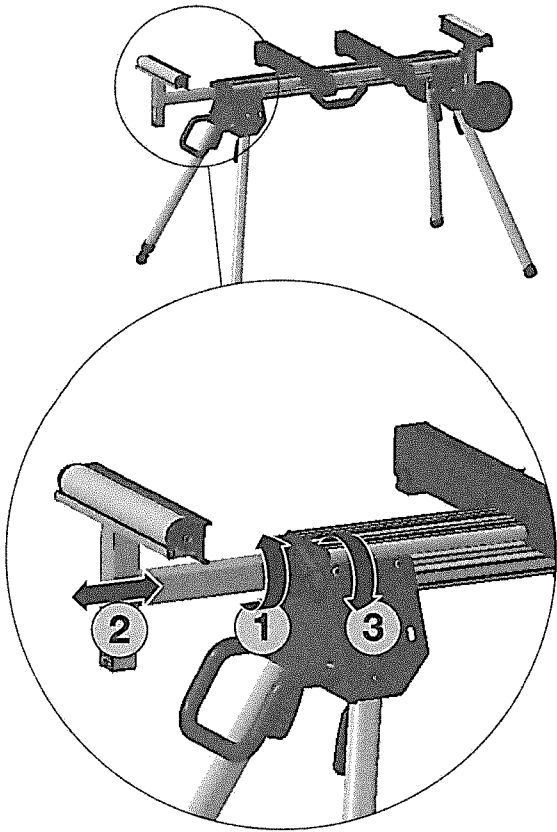
**5** KSU 100  
KSU 251  
KSU 401



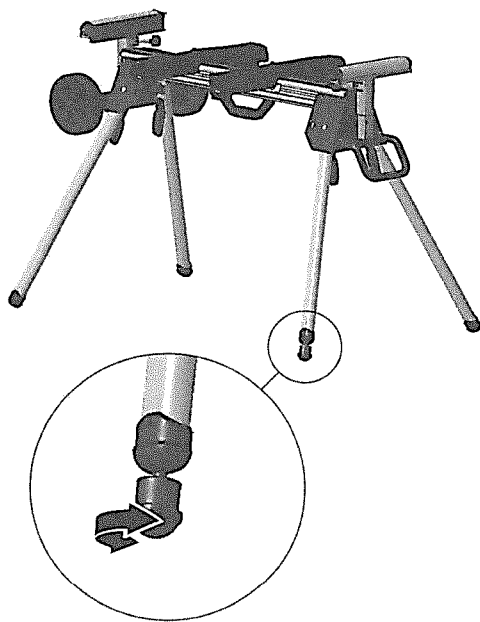
**6** KSU 251  
KSU 401



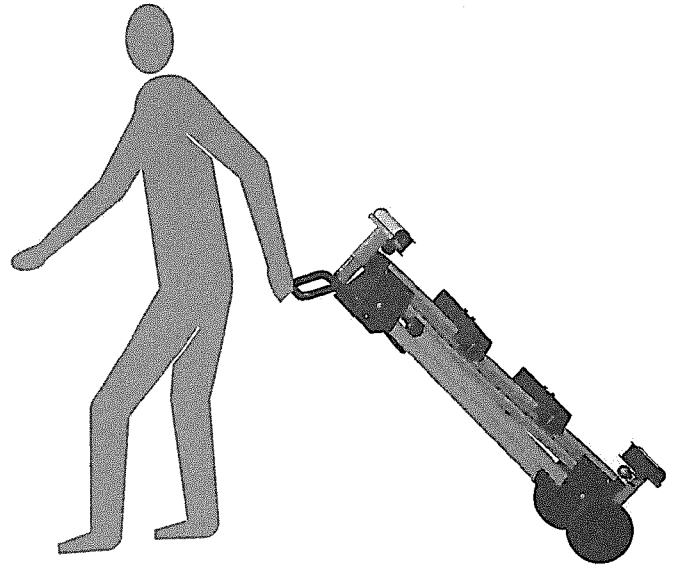
**7** KSU 251  
KSU 401



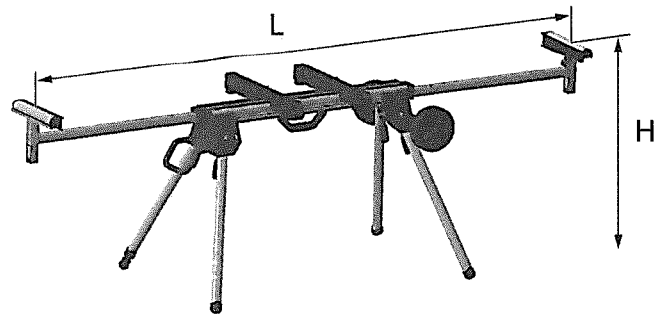
**8** KSU 251  
KSU 401






**9** KSU 251  
KSU 401



**10** KSU 100  
KSU 251  
KSU 401



KSU 100:	KSU 251:	KSU 401:
L = 127 cm	L = 127-250 cm	L = 168-400 cm
H = 92-99 cm	H = 92-99 cm	H = 92-99 cm
 = 16 kg	 = 23 kg	 = 25 kg

Metabowerke GmbH  
Metabo-Allee 1  
72622 Nuertingen  
Germany  
www.metabo.com

**metabo**<sup>®</sup>  
PROFESSIONAL POWER TOOL SOLUTIONS